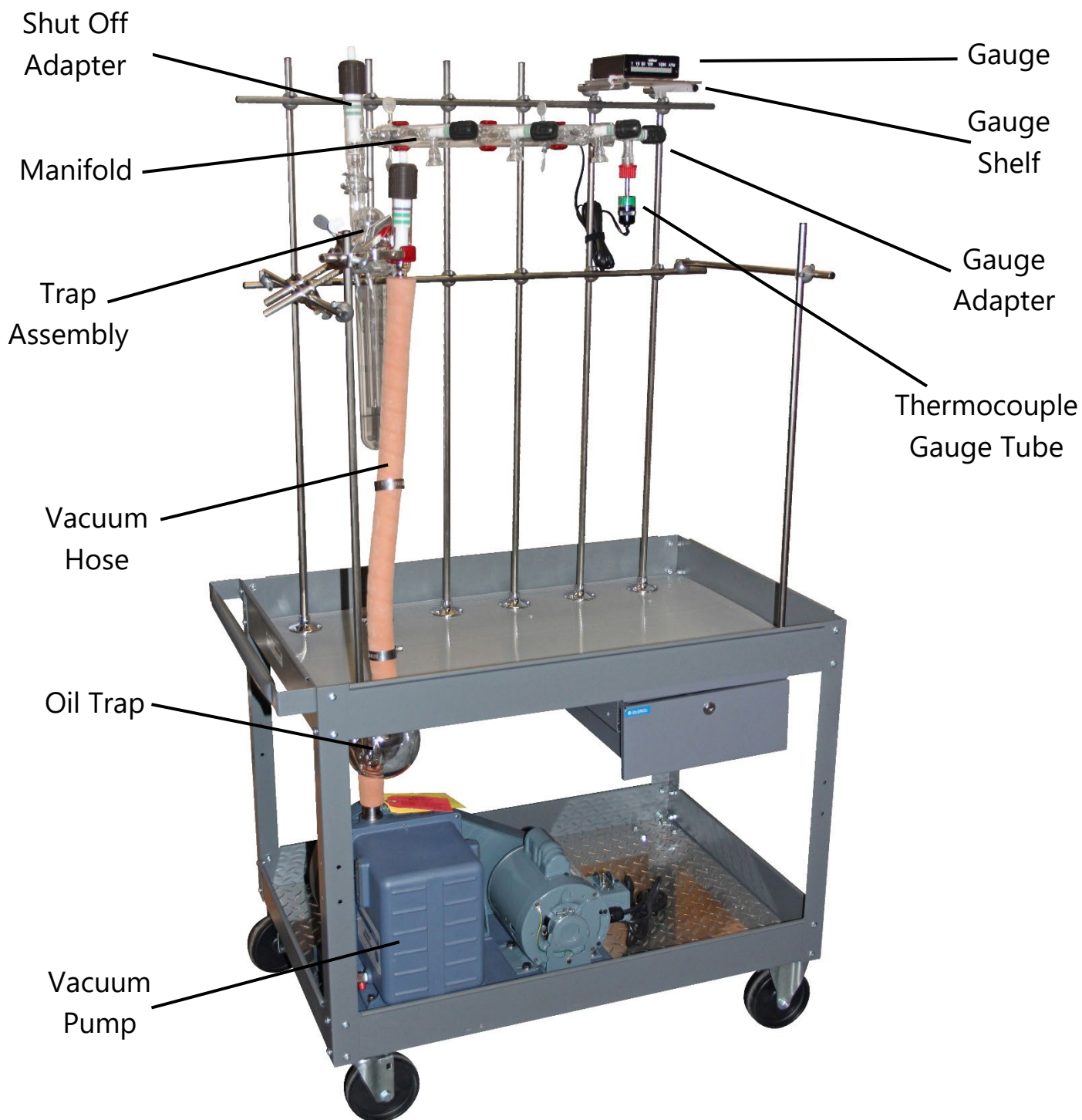
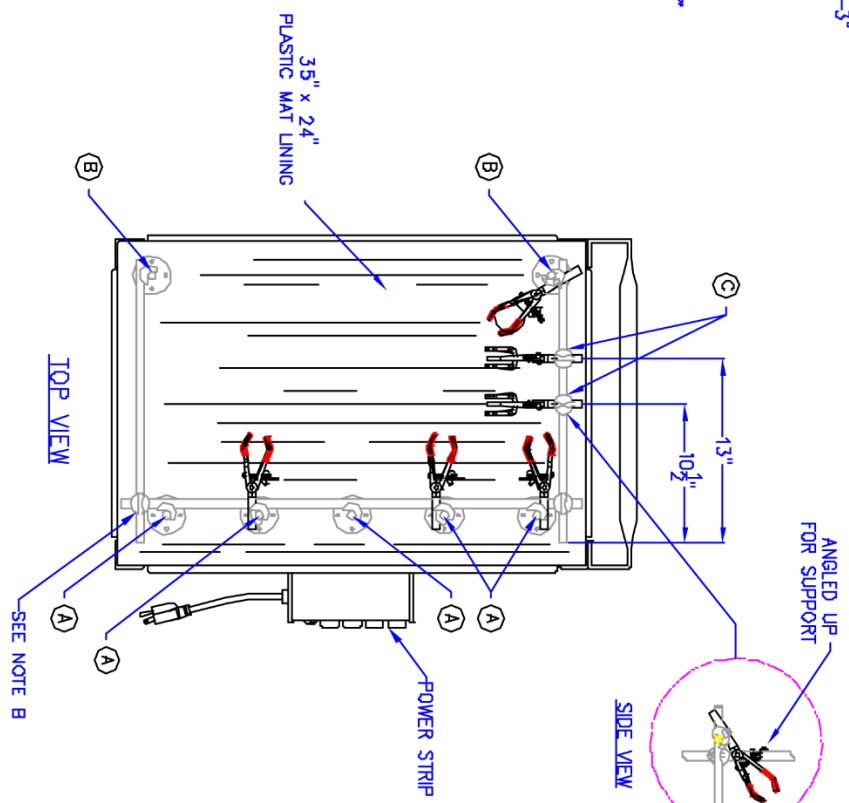
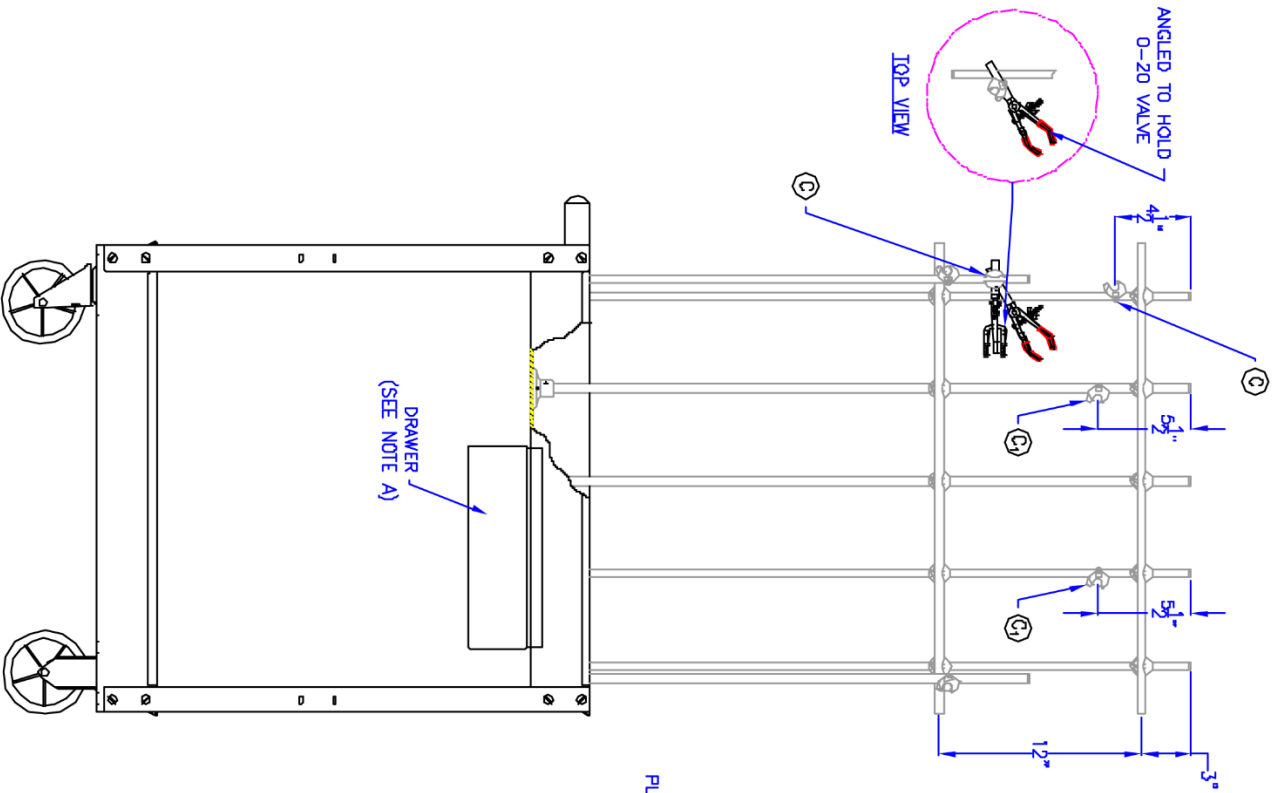


AF-0300 Vacuum Cart Systems



ITEM NO.	DESCRIPTION	QTY	UNIT



- NOTES**
- A. ALLEN WRENCH TO BE TAPED INSIDE DRAWER
 - B. FRONT TO BACK ROD SUPPORTS MUST BE ON TOP

CUSTOMER INSTRUCTIONS

UNIVERSAL SPECIFICATION		 CHEMGLASS 2401 NORTH HILL ROAD, WESTLAND, MI 48090	
MODEL:		ALL DIMENSIONS UNLESS OTHERWISE SPECIFIED NO BRASS PARTS DECIMALS .000 ± .002	
P/N:		TITLE:	VACUUM CHART
SIZE:	A	DWG NO.:	AJ-0300
SCALE:	1"=1'	DRAWN BY:	4. RABENICER
CUSTOMER:		DATE:	8-25-04
		QTY REQ'D:	1

Assembly Instructions for AF-0300 Vacuum Cart Systems

Your cart contains the following stainless-steel rods:

- 5 each: 39"OAL
- 2 each: 35"OAL
- 2 each: 29"OAL
- 2 each: 20-3/4"OAL

**Allen wrench is in the drawer of the cart.*

To Assemble:

1. Insert 5 each 39"rods in support feet (A)
(DO NOT TIGHTEN ALLEN SCREWS INTO SUPPORT FEET NOW)
2. Insert 2 each 29"rods in support feet (B)
(DO NOT TIGHTEN ALLEN SCREWS INTO SUPPORT FEET NOW)
3. Install 2 each 35"rods horizontally on the uprights (as per blueprint)
4. Install 2 each 20-3/4"rods horizontally. Secure between front and back supports. (See note 1 on blueprint)
5. Tighten all Allen screws on the support feet.

Mounting of Glassware on Lattice System:

The enclosed blueprint drawing shows the approximate dimensions for mounting the glassware on the lattice using the clamps. The bosshead locations are marked as "C".

To ensure that the manifold and trap assemblies are square and level, the back of the clamp rods are to be even with each other, marked as C¹.

The rubber vacuum tubing supplied with the cart fits snugly within the black rubber grommet. When installing the tubing, the grommet must be removed from the cart and slid over the tubing (above cart). After the tubing is tightened to the main shut off and oil trap (or pump), the grommet can be reinstalled into the opening around the tubing.

If you have any questions, please contact us:



3800 North Mill Road, Vineland, NJ 08360

US & Canada Phone: (800) 843-1794 International: (856) 696-0014

US & Canada Fax: (800) 922-4361 International: (856) 696-9102