

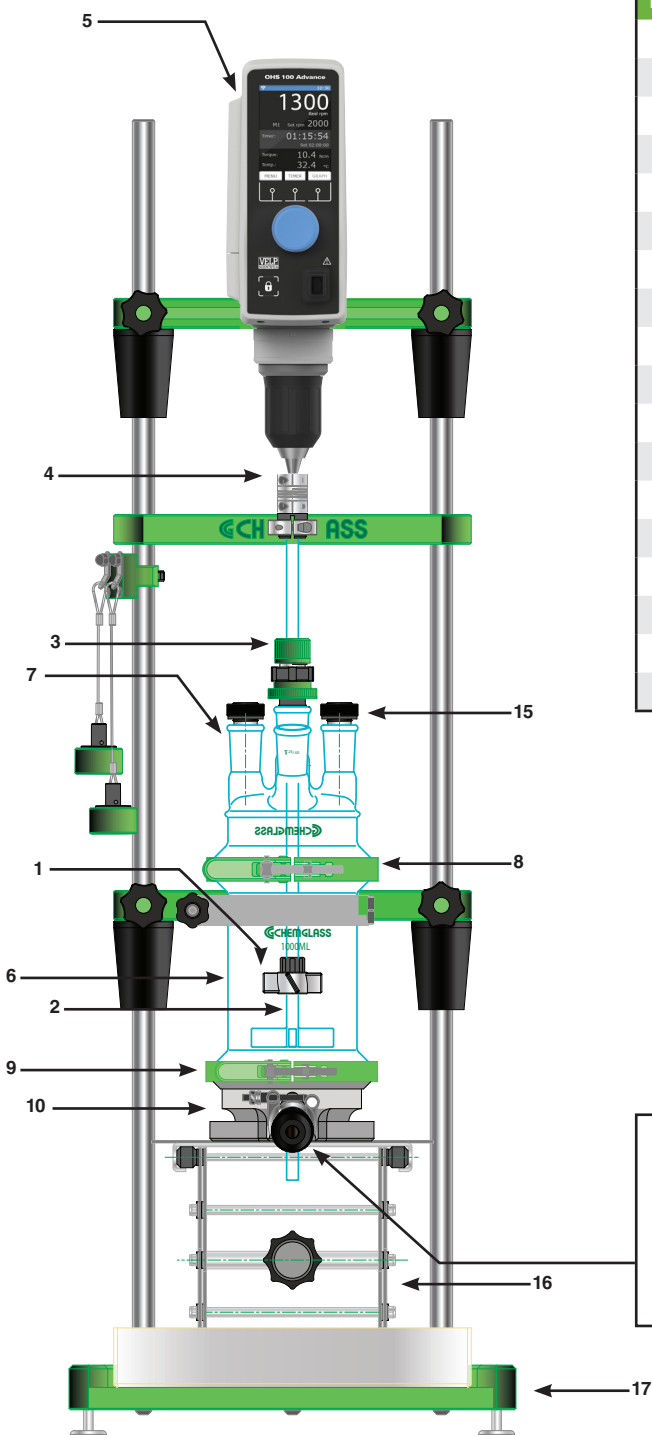
# REACTORS, FILTER, UNJACKETED

## 1L PROCESS FILTER REACTOR, CYLINDRICAL, UNJACKETED, ELECTRIC

Our unjacketed filter reactors can be used for single or multi-step reactions and filtrations in the same vessel, and large scale peptide synthesis. Filter base eliminates material transfers and significantly reducing losses. Complete reactor system on our ChemRxnHub stand. Supplied with the components listed below and numbered on the schematic drawing.

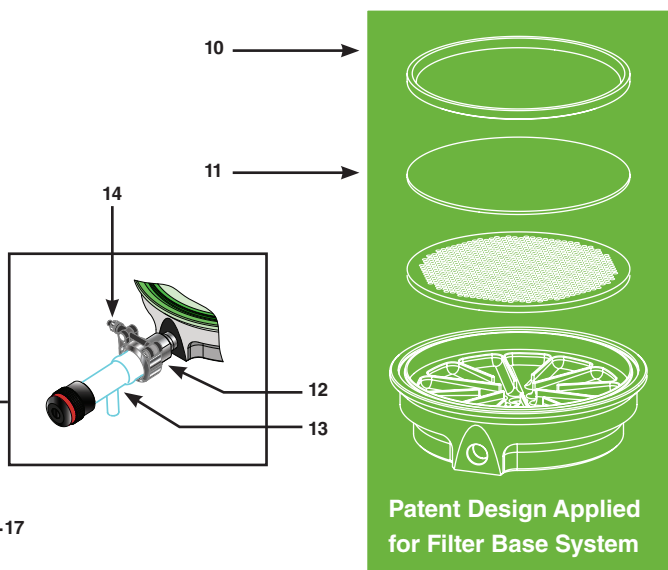
### 1L COMPLETE UNJACKETED FILTER REACTORS:

Part Number	Description	Motor Type
CG-1959-U1000	1L Process Filter Reactor, Complete	Electric



### Standard Parts - Supplied with complete process reactor systems.

No.	Part No.	Description
1	CG-2095-X-102	50mm PTFE Agitator, 60° Impeller Angle
2	CG-2075-U10	10mm Stirring Shaft, 480mm OAL, 4 blade
3	CG-2077-G-21	10mm Flake-Free PTFE Stirrer Bearing, 24/40
4	CG-2044-C-14	Compact Tru-Stir™ Stirrer Shaft Coupling
5	CG-2054-100	Velp OHS 100 Advance Overhead Stirrer
6	CG-1959-U02	1000mL UnJacketed Filtration Vessel
7	CG-1946-B-01	Reaction Vessel Lid, 5 Neck, 100mm Flat Flange Lid, 24/40 Outer
8	CG-141-T-12	Quick Release Clamp for 100mm Flat Flange, PTFE Coated (2ea)
9	CG-147-82	100mm Perfluoro O-Ring (2ea)
10	CG-1949-F100	100mm Filter Support Assembly, Complete Without Filter
11	CG-1949-F103	100mm PTFE Filter, 30 Micron
12	CG-1964-A-10	Glass-Filled PTFE Drain Adapter, 1" Beaded Pipe to 1/2" NPT Male
13	CG-1959-A-01	Drain Valve, 1" Beaded Pipe to 0-14 Valve, 1/2" Swagelock Sidearm
14	CG-1968-66	1" Beaded Pipe Coupling
15	CG-3002-L-24	PTFE Stopper, 24/40 with Loosening Ring (4ea)
16	CG-3059-F100	100mm Filter Support Assembly Jack, Stainless Steel, 9.4" x 9.4"
17	CG-1949-X-10	Reactor Support Frame, ChemRxnHub
18	CG-1947-B100	100mm Stainless Steel Reactor Clamp, ChemRxnHub



Patent Design Applied for Filter Base System