

CG-1968-T-55

DRAIN VALVE ASSEMBLY INSTRUCTIONS

CG-1968-T-55 3" DRAIN VALVE, ZERO DEAD SPACE, IMPROVED, PILOT PLANT, STABILIZING PIN

Our detachable zero dead space drain valve has two Perfluoro o-rings installed on the shaft and one Perfluoro o-ring installed on the tip. A FEP encapsulated silicone o-ring is also supplied for attachment to the tip in low temperature applications. The drain valve is connected to the reactor by a unique 3" beaded pipe valve seat and has a 1-1/2" beaded pipe side arm.

PLEASE NOTICE TEMPERATURE LIMITATIONS ON O-RINGS AND RECOMMENDED TORQUE SETTING FOR BEADED PIPE COUPLINGS LISTED BELOW BEFORE USING THIS VALVE.

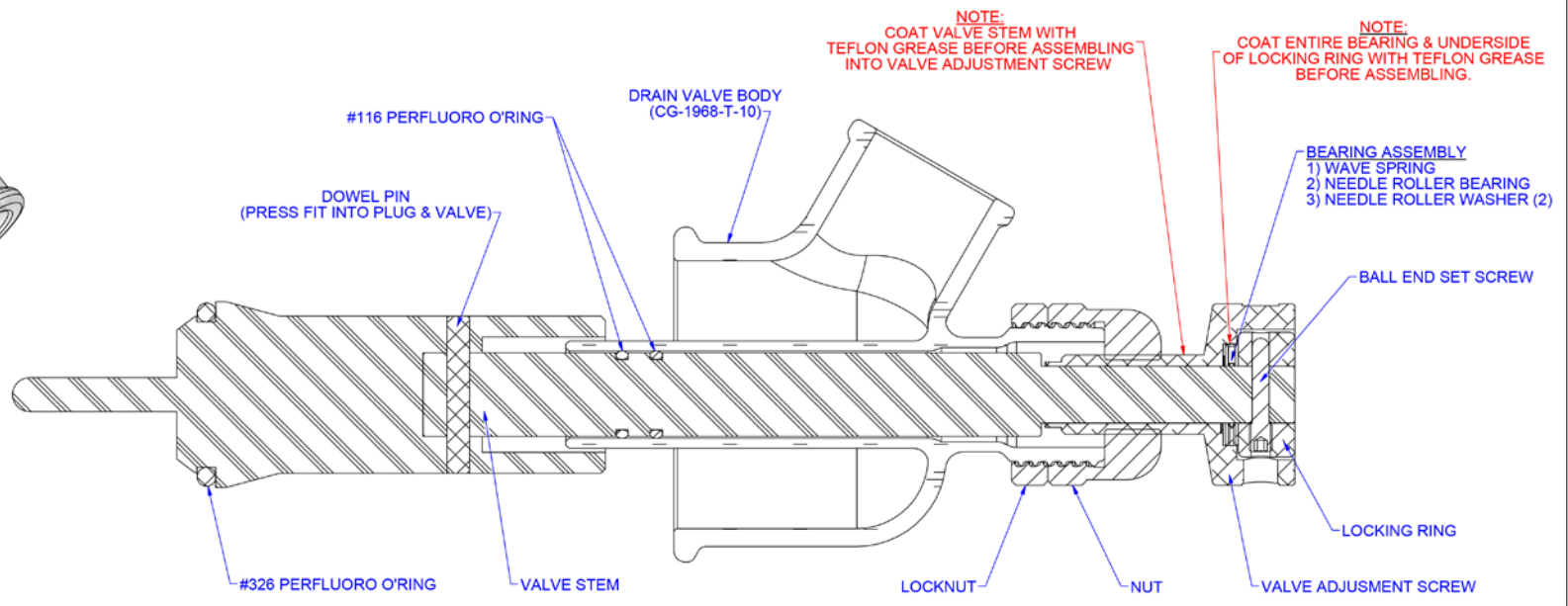
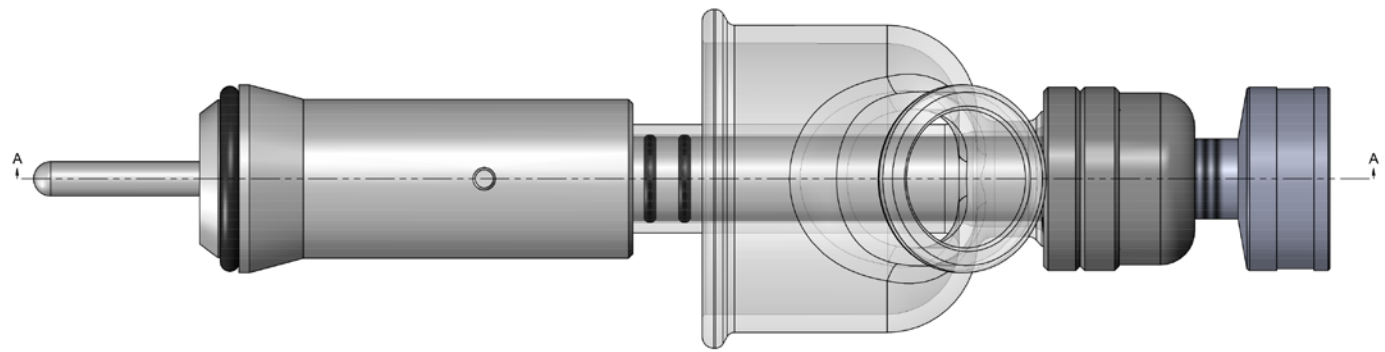
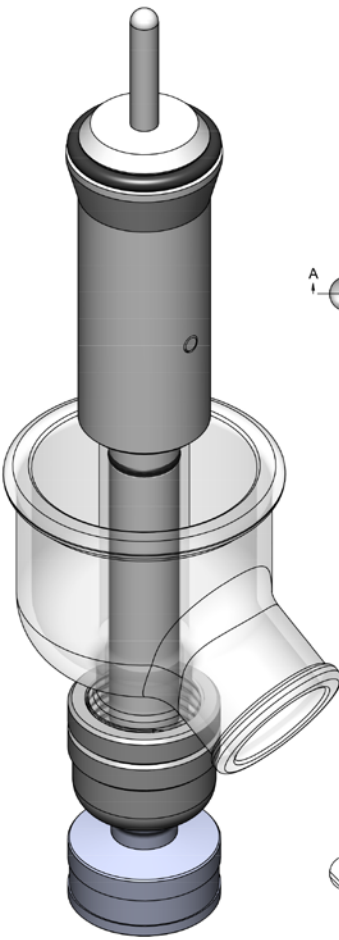
<u>O-Ring Material</u>	<u>Color</u>	<u>Temperature Range (°C)</u>	<u>Beaded Pipe Coupling</u>	<u>Recommended Torque Setting</u>
Perfluoro	Black	-7 to 230	1-1/2"	50 in-lbs
FEP-Silicone	Orange	-62 to 205	3"	75 in-lbs

Attaching the valve to the reactor:

- Wet coupling and the beaded pipe ends, on the reactor and valve, with water
- Snap the coupling over the valve seat on the reactor
- Snap the valve assembly into other side of the coupling. Plug must be in the open position
- Tighten the coupling with a torque wrench to the recommended torque setting

PLEASE NOTE: PLUG MUST BE IN THE OPEN POSITION TO INSTALL OR REMOVE

REV.	DESCRIPTION	DATE	EDITED BY
A	CREATED DRAWING	10/5/2016	CLC



SECTION A-A
SCALE 1 : 1.25

TITLE 3" ZERO DEAD SPACE DRAIN VALVE W/STAB. PIN ASSEMBLY		PART# CG-1968-T-55-ASSEMBLY	REV A	CUSTOMER CLS	REFR. -	SCALE 1:1	SIZE B
APPROVAL	DATE	N:\SOLIDWORKS\CHEMGLASS CATALOG\ZERO DEAD SPACE DRAIN VALVES		AUTHOR CLC			

CHEMGLASS
 3861 NORTH MILL ROAD
 VINELAND, NJ 08350

THIS INFORMATION IS THE PROPERTY OF CHEMGLASS. NO ANY REPRODUCTION, PUBLICATION, OR DISTRIBUTION TO A THIRD PARTY IS STRICTLY FORBIDDEN UNLESS WRITTEN PERMISSION IS GIVEN BY AN AUTHORIZED AGENT OF CHEMGLASS.