



3800 N. Mill Road  
Vineland NJ 08360  
Phone: 800.843.1794  
Fax: 800.922.4361  
[www.cglifesciences.com](http://www.cglifesciences.com)

## PRODUCT CHANGE NOTIFICATION

DOC-PCNWEB-002, Rev. A

**PCN Number** 240805

**PCN Title** PETG Erlenmeyer Flask Design Change

**Notification Date** 8/5/2024

**Implementation Date** 8/19/2024

**Part Description** PETG Erlenmeyer Flask

**Affected Part Number(s)** CGN-2092-P125, Flask, Erlenmeyer, 125ml, PETG, Flat Base, with Plug Seal Cap, Sterile  
CGN-2092-125, Flask, Erlenmeyer, 125ml, PETG, with HDPE Vent Cap, Sterile  
CGN-2092-P250, Flask, Erlenmeyer, 250ml, PETG, Flat Base, with Plug Seal Cap, Sterile  
CGN-2092-250, Flask, Erlenmeyer, 250ml, PETG, with HDPE Vent Cap, Sterile  
CGN-2092-P500, Flask, Erlenmeyer, 500ml, PETG, Flat Base, with Plug Seal Cap, Sterile  
CGN-2092-500, Flask, Erlenmeyer, 500ml, PETG, with HDPE Vent Cap, Sterile  
CGN-2092-P1000, Flask, Erlenmeyer, 1000ml, PETG, Flat Base, with Plug Seal Cap, Sterile  
CGN-2092-1000, Flask, Erlenmeyer, 1000ml, PETG, with HDPE Vent Cap, Sterile

**Change Description** Design change to size and shape of PETG Erlenmeyer Flask.

**Reason for Change** Optimize product performance of PETG Erlenmeyer Flask.

**Performance Impact** Improve product overall performance.

**PCN Correspondence** [QC@cglifesciences.com](mailto:QC@cglifesciences.com)

# PRODUCT CHANGE NOTIFICATION

## FORM - FIT - FUNCTION DEFINITIONS

**FORM:** Refers to such characteristics as external dimensions, weight and size of a part or assembly.

**FIT:** Refers to the ability of the part or feature to connect to, mate with, or join to another feature or part within an assembly.

**FUNCTION:** Is a criteria that is met when the part performs its stated purpose effectively and reliably.

# Attachn ent 1: PETG Erlenn eyer Flask Size Diagram

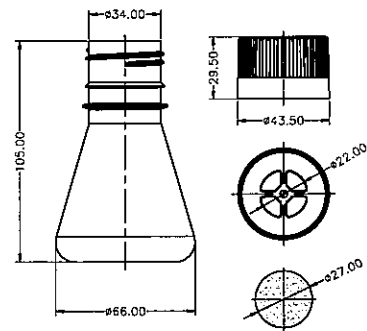
781001 ( Seal )  
781011 ( Vent )

782001 ( Seal )  
782011 ( Vent )

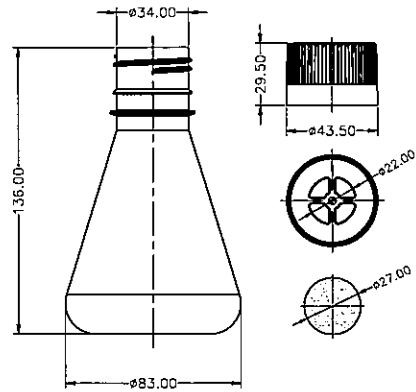
783001 ( Seal )  
783011 ( Vent )

784001 ( Seal )  
784011 ( Vent )

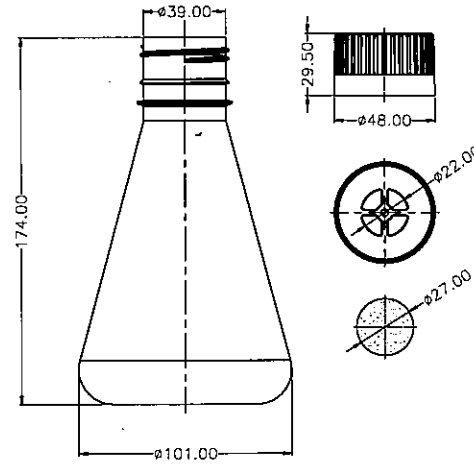
125ml



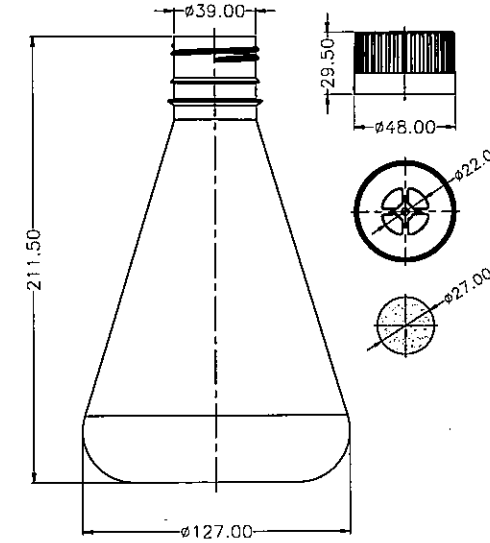
250ml



500ml

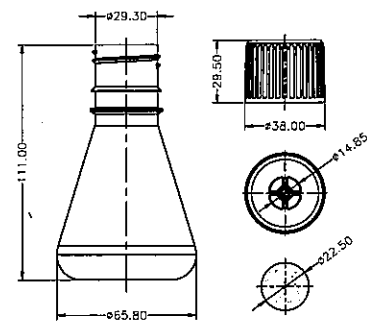


1000ml

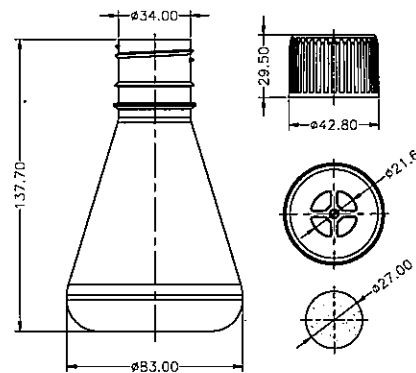


Old PETG Erlenn eyer Flask Size  
San ple Diagram

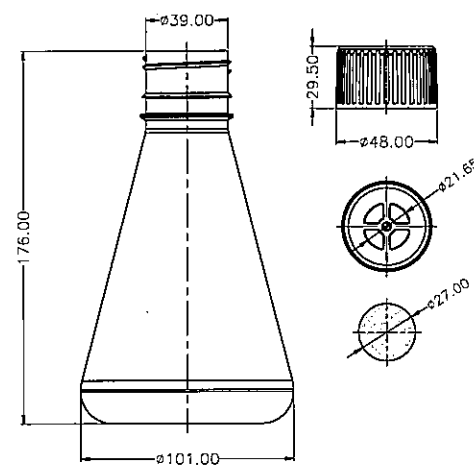
125ml



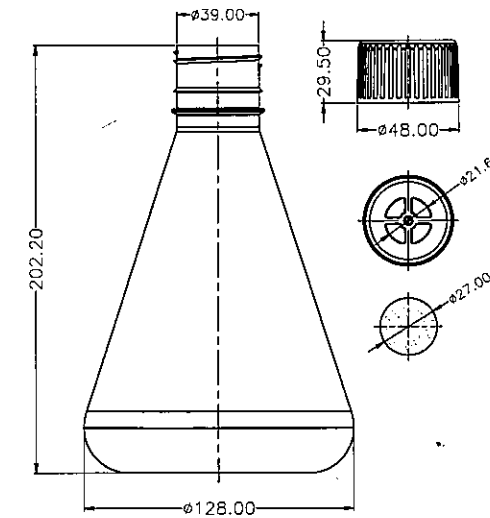
250ml



500ml



1000ml



New PETG Erlenn eyer Flask Size  
San ple Diagram